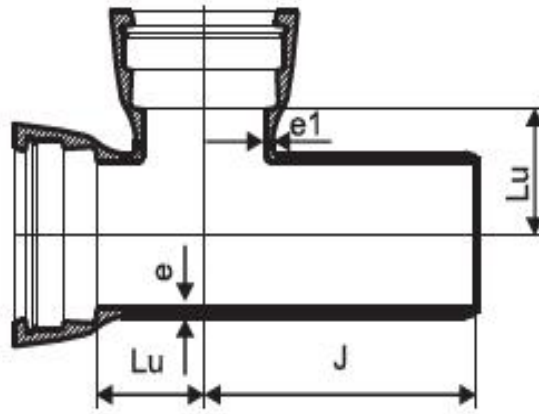


27、承插单支承三通

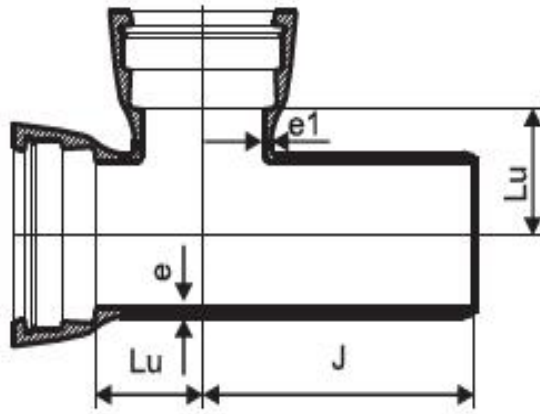
Socket spigot tee with socket branch



Main				Branch			Weight (kg)	
DN	e	Lu	J	DN	e1	Lu'	T type	K type
80	8.1	85	275	80	8.1	85	13.1	15.9
100	8.4	85	275	80	8.1	95	15.6	19
		95	275	100	8.4	95	16.9	21.7
125	8.7	85	280	80	8.1	105	17.7	21.0
		95	290	100	8.4	110	19.8	23.0
		110	295	125	8.7	110	22.0	24.8
150	9.1	85	275	80	8.1	120	22.6	26.5
		100	280	100	8.4	120	24.6	29.5
		115	305	125	8.7	125	26.8	31.8
		130	310	150	9.1	125	28.9	34.0
200	9.8	90	275	80	8.1	145	31.4	34.3
		100	280	100	8.4	145	33.2	37.8
		115	305	125	8.7	145	35.7	40.4
		130	310	150	9.1	150	38.2	42.9
		160	340	200	9.8	155	44.0	48.4
250	10.5	90	300	80	8.1	170	41.3	43.2
		100	300	100	8.4	170	43.8	47.6
		115	315	125	8.7	175	48.0	51.7
		130	310	150	9.1	175	51.9	55.8
		160	340	200	9.8	180	56.7	60.3
		190	370	250	10.5	190	64.0	66.8
300	11.2	95	300	80	8.1	196	54.7	58.4
		105	285	100	8.4	195	57.5	65.3
		120	320	125	8.7	200	60.1	64.3
		130	310	150	9.1	200	67.1	75.1
		160	340	200	9.8	205	72.3	79.9
		190	370	250	10.5	210	82.7	89.5
		220	400	300	11.2	220	91.3	100.0
350	11.9	90	300	80	8.1	220	66.8	73.2
		100	310	100	8.4	220	69.9	77.5
		120	325	125	8.7	225	75.9	83.5
		125	340	150	9.1	225	81.8	89.5
		160	340	200	9.8	230	87.1	94.5
		190	370	250	10.5	235	99.1	106.0
		220	400	300	11.2	240	109.0	120.0
		250	430	350	11.9	250	118.0	129.0
400	12.6	95	300	80	8.1	240	78.7	80.6
		105	310	100	8.4	245	84.2	91.8
		120	330	125	8.7	250	91.5	98.9

27、承插单支承三通

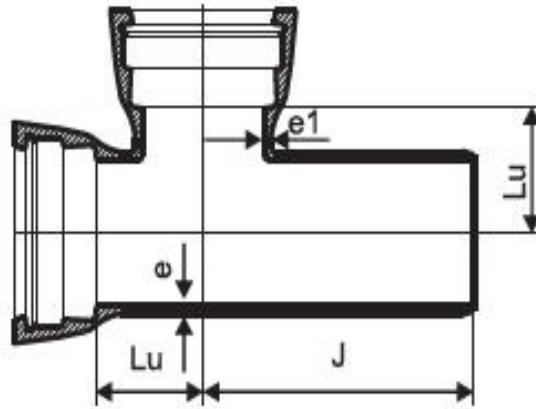
Socket spigot tee with socket branch



Main				Branch			Weight (kg)	
DN	e	Lu	J	DN	e1	Lu'	T type	K type
400	12.6	135	340	150	9.1	250	98.7	106.0
		166	345	200	9.8	255	103.0	110.0
		190	375	250	10.5	260	118.0	125.0
		220	400	300	11.2	270	128.0	138.0
		250	430	350	11.9	270	139.0	149.0
		280	460	400	12.6	280	152.0	163.0
450	13.3	95	320	80	8.1	270	103.0	108.0
		105	330	100	8.4	270	107.0	114.0
		120	345	125	8.7	270	111.5	118.5
		135	360	150	9.1	280	116.0	123.0
		165	390	200	9.8	280	127.0	133.0
		195	415	250	10.5	290	138.0	144.0
		220	445	300	11.2	290	150.0	159.0
		253	460	350	11.9	300	162.0	171.0
		280	500	400	12.6	300	172.0	181.0
500	14	95	320	80	8.1	290	111.0	116.0
		110	330	100	8.4	295	115.0	120.0
		120	345	125	8.7	300	125.5	131.0
		135	360	150	9.1	300	136.0	141.0
		165	390	200	9.8	310	140.0	145.0
		195	395	250	10.5	310	161.0	165.0
		225	425	300	11.2	320	174.0	182.0
		255	455	350	11.9	320	186.0	194.0
		280	485	400	12.6	330	199.0	207.0
		310	525	450	13.3	335	212.0	238.0
		340	540	500	14.0	340	231.0	237.0
600	15.4	100	325	80	8.1	340	161.0	162.0
		110	330	100	8.4	345	165.0	166.0
		125	345	125	8.7	350	172.5	173.0
		140	360	150	9.1	350	180.0	180.0
		170	390	200	9.8	360	183.0	183.0
		200	415	250	10.5	360	210.0	210.0
		225	430	300	11.2	370	227.0	234.0
		255	455	350	11.9	370	241.0	245.0
		285	485	400	12.6	380	252.0	256.0
		315	525	450	13.3	385	274.0	277.0
		345	545	500	14.0	390	287.0	289.0
		400	600	600	15.4	400	334.0	332.0

27、承插单支承三通

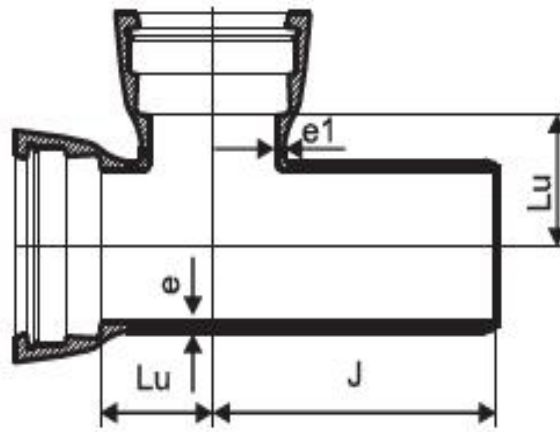
Socket spigot tee with socket branch



Main				Branch			Weight (kg)	
DN	e	Lu	J	DN	e1	Lu'	T type	K type
700	16.8	100	345	80	8.1	390	217.0	207.0
		115	345	100	8.4	400	224.0	215.0
		130	360	125	8.7	400	232.0	223.5
		145	370	150	9.1	400	241.0	232.0
		170	400	200	9.8	410	259.0	250.0
		200	430	250	10.5	410	277.0	267.0
		230	480	300	11.2	420	297.0	290.0
		260	510	350	11.9	420	317.0	310.0
		290	540	400	12.6	430	337.0	329.0
		315	525	450	13.3	435	361.0	350.0
		350	595	500	14.0	440	380.0	370.0
		405	655	600	15.4	450	430.0	416.0
		460	715	700	16.8	460	486.0	470.0
800	18.2	105	355	80	8.1	440	278.0	254.0
		115	355	100	8.4	445	287.0	264.0
		130	370	125	8.7	450	297.0	274.0
		145	380	150	9.1	450	307.0	284.0
		175	410	200	9.8	460	330.0	305.0
		205	440	250	10.5	460	352.0	328.0
		235	450	300	11.2	470	374.0	353.0
		260	485	350	11.9	470	398.0	376.0
		290	540	400	12.6	480	420.0	398.0
		320	535	450	13.3	485	448.0	422.0
		350	600	500	14.0	490	472.0	447.0
		405	660	600	15.4	500	526.0	497.0
		465	690	700	16.8	510	586.0	556.0
520	775	800	18.2	520	655.0	618.0		
900	19.6	110	410	80	8.1	490	349.0	322.0
		120	425	100	8.4	500	360.0	333.0
		135	435	125	8.7	500	373.0	346.0
		150	455	150	9.1	500	386.0	359.0
		180	485	200	9.8	510	410.0	383.2
		205	515	250	10.5	510	437.0	408.0
		235	535	300	11.2	520	462.0	438.0
		265	565	350	11.9	520	490.0	464.0
		295	590	400	12.6	530	518.0	491.0
		325	610	450	13.3	535	547.0	518.0
		350	600	500	14.0	540	574.0	546.0
		410	660	600	15.4	550	635.0	602.0

27、承插单支承三通

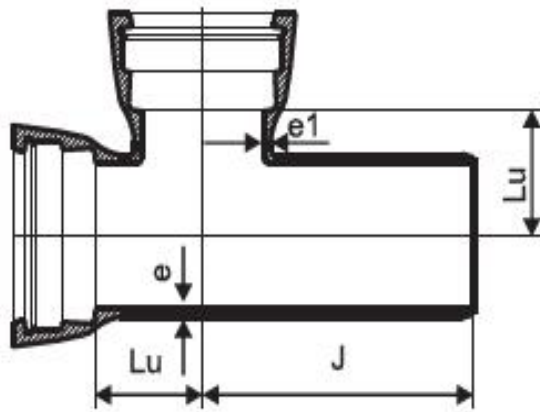
Socket spigot tee with socket branch



Main				Branch			Weight (kg)	
DN	e	Lu	J	DN	e1	Lu'	T type	K type
900	19.6	470	720	700	16.8	560	700.0	667.0
		525	815	800	18.2	570	774.0	733.0
		585	835	900	19.6	580	858.0	815.0
1000	21	110	420	80	8.1	540	433.0	434.0
		125	435	100	8.4	550	443.0	445.0
		140	445	125	8.7	550	459.0	460.0
		150	465	150	9.1	550	474.0	475.0
		180	495	200	9.8	560	502.0	503.0
		210	525	250	10.5	560	533.0	533.0
		240	545	300	11.2	570	564.0	568.0
		270	575	350	11.9	570	594.0	597.0
		295	600	400	12.6	580	626.0	628.0
		325	620	450	13.3	585	659.0	658.0
		355	650	500	14.0	590	690.0	690.0
		415	715	600	15.4	600	758.0	754.0
		470	770	700	16.8	610	831.0	825.0
		530	830	800	18.2	620	913.0	901.0
		585	880	900	19.6	630	1000	985
		1100	22.4	115	435	80	8.1	590
125	450			100	8.4	600	521.5	487.1
140	460			125	8.7	600	536.2	501.7
155	480			150	9.1	600	555.9	522.0
185	510			200	9.8	610	591.6	556.7
215	540			250	10.5	610	627.1	591.4
240	560			300	11.2	620	658.2	624.1
270	590			350	11.9	620	689.6	658.2
300	615			400	12.6	630	721.2	691.1
330	635			450	13.3	635	749.7	722.3
360	665			500	14.0	640	786.9	758.1
415	725			600	15.5	650	859.2	829.1
475	715			700	16.8	660	910.3	869.4
530	835			800	18.2	670	1031	981.0
590	890			900	19.0	680	1126	1070
650	1060			1000	21.0	695	1293	1236
705	1005	1100	22.4	710	1346	1274		
1200	23.8	120	475	80	8.1	640	631.5	632.0
		130	490	100	8.4	650	648.1	649.0

27、承插单支承三通

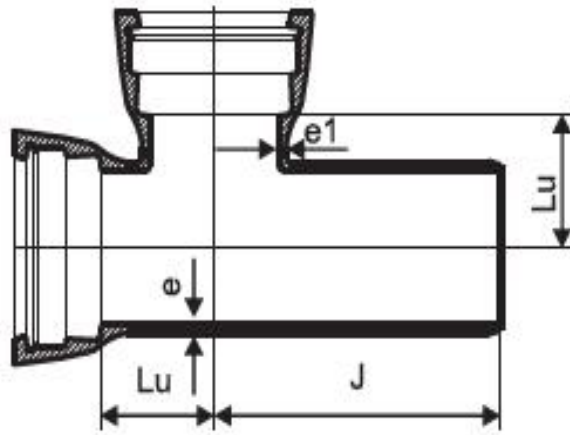
Socket spigot tee with socket branch



Main				Branch			Weight (kg)	
DN	e	Lu	J	DN	e1	Lu'	T type	K type
1200	23.8	145	500	125	8.7	650	665.0	667.5
		160	515	150	9.1	650	685.0	686.0
		185	545	200	9.8	660	725.0	726.0
		215	575	250	10.5	660	766.0	766.0
		245	605	300	11.2	670	816.0	819.0
		275	630	350	11.9	670	845.0	849.0
		305	655	400	12.6	680	884.0	886.0
		330	675	450	13.3	685	929.0	928.0
		360	710	500	14.0	690	966.0	966.0
		420	675	600	15.4	700	1054	1050
		475	820	700	16.8	710	1143	1138
		535	835	800	18.2	720	1239	1226
		595	895	900	19.6	730	1339	1325
		650	950	1000	21.0	745	1447	1447
765	1070	1200	23.8	770	1697	1697		
1400	26.6	125	500	80	8.1	740	918.3	773.6
		135	515	100	8.4	750	939.8	795.7
		150	525	125	8.7	750	961.5	817.3
		165	540	150	9.1	750	987.6	843.1
		195	570	200	9.8	760	1038	894.4
		220	600	250	10.5	760	1007	941.3
		250	630	300	11.2	770	1143	998.5
		280	655	350	11.9	770	1186	1045
		310	680	400	12.6	780	1232	1093
		340	700	450	13.3	705	1274	1137
		365	735	500	14.0	790	1327	1188
		425	790	600	15.4	800	1428	1288
		485	845	700	16.8	810	1544	1393
		540	905	800	18.2	820	1658	1499
		600	900	900	19.6	830	1727	1562
		655	960	1000	21.0	845	1854	1687
		715	1065	1100	22.4	860	2034	1852
775	1075	1200	23.8	870	2145	1943		
890	1190	1400	26.6	890	2514	2222		
1600	29.4	200	720	200	9.8	860	1546	1332
		230	750	250	10.5	860	1611	1396
		255	780	300	11.2	870	1674	1461
		315	830	400	12.6	880	1786	1578
		385	885	500	14.0	890	1919	1712

27、承插单支承三通

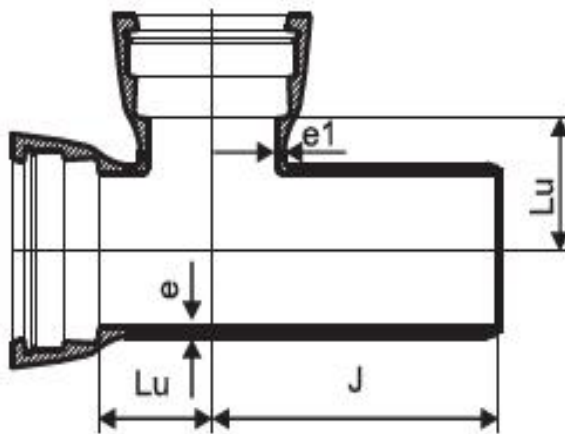
Socket spigot tee with socket branch



Main			Branch			Weight (kg)		
DN	e	Lu	J	DN	e1	Lu'	T type	K type
		430	935	600	15.4	900	2023	1814
		545	1050	800	18.2	920	2296	2068
		665	1165	1000	21.0	945	2591	2355
		780	1275	1200	23.8	970	2910	2639
		895	1380	1400	26.6	990	3299	2938
		1010	1490	1600	29.4	1010	3752	3322
1800	32.2	205	720	200	9.8	960	1896	1673
		235	750	250	10.5	960	1979	1755
		265	780	300	11.2	970	2063	1841
		320	830	400	12.6	980	2201	1983
		380	885	500	14.0	990	2339	2122
		435	935	600	15.4	1000	2506	2288
		555	1050	800	18.2	1020	2808	2570
		670	1165	1000	21.0	1045	3146	2901
		785	1275	1200	23.8	1070	3509	3229
		900	1380	1400	26.6	1090	3936	3566
		1015	1490	1600	29.4	1110	4420	3981
		1135	1595	1800	32.2	1130	4886	4437
2000	35	210	720	200	9.8	1060	/	2058
		240	750	250	10.5	1060	/	2156
		270	780	300	11.2	1070	/	2257
		325	830	400	12.6	1080	/	2428
		385	885	500	14.0	1090	/	2596
		445	935	600	15.4	1100	/	2766
		560	1050	800	18.2	1120	/	3129
		675	1165	1000	21.0	1145	/	3513
		790	1275	1200	23.8	1170	/	3893
		905	1380	1400	26.6	1190	/	4275
		1025	1490	1600	29.4	1210	/	4740
		1140	1595	1800	32.2	1230	/	5220
2200	37.8	1255	1705	2000	35.0	1255	/	5777
		215	720	200	9.8	1160	/	2488
		245	750	250	10.5	1160	/	2601
		275	780	300	11.2	1170	/	2719
		335	830	400	12.6	1180	/	2930
		390	885	500	14.0	1190	/	3119
		450	935	600	15.4	1200	/	3321
565	1050	800	18.2	1220	/	3747		

27、承插单支承三通

Socket spigot tee with socket branch



Main			Branch			Weight (kg)		
DN	e	Lu	J	DN	e1	Lu'	T type	K type
2200	37.8	680	1165	1000	21.0	1245	/	4191
		795	1275	1200	23.8	1270	/	4628
		915	1380	1400	26.6	1290	/	5073
		1030	1490	1600	29.4	1310	/	5580
		1145	1595	1800	32.2	1330	/	6102
		1260	1705	2000	35.0	1355	/	6692
		1375	1810	2200	37.8	1380	/	7340
2400	40.6	225	720	200	9.8	1260	/	3070
		250	750	250	10.5	1260	/	3195
		280	780	300	11.2	1270	/	3332
		340	830	400	12.6	1280	/	3578
		395	885	500	14.0	1290	/	3800
		455	935	600	15.4	1300	/	4035
		570	1050	800	18.2	1320	/	4530
		685	1165	1000	21.0	1345	/	5042
		805	1275	1200	23.8	1370	/	5552
		920	1380	1400	26.6	1390	/	6047
		1035	1490	1600	29.4	1410	/	6611
		1150	1595	1800	32.2	1430	/	7185
		1265	1705	2000	35.0	1455	/	7822
		1385	1810	2200	37.8	1480	/	8514
1500	1920	2400	40.6	1500	/	9374		
2600	43.4	230	720	200	9.8	1360	/	3616
		260	750	250	10.5	1360	/	3773
		285	780	300	11.2	1370	/	3918
		345	830	400	12.6	1380	/	4202
		405	885	500	14.0	1390	/	4472
		460	935	600	15.4	1400	/	4731
		575	1050	800	18.2	1420	/	5300
		695	1165	1000	21.0	1445	/	5898
		810	1275	1200	23.8	1470	/	6466
		925	1380	1400	26.6	1490	/	7027
		1040	1490	1600	29.4	1510	/	7655
		1155	1595	1800	32.2	1530	/	8288
		1275	1705	2000	35.0	1555	/	8993
		1390	1810	2200	37.8	1580	/	9721
		1505	1920	2400	40.6	1600	/	10617
1620	2025	2600	43.4	1620	/	11504		