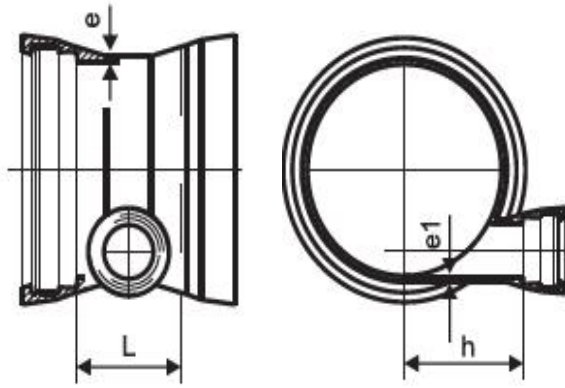


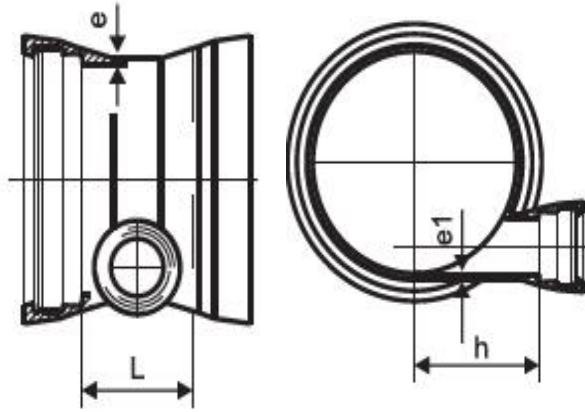
30、全承底三通
All socket level invert tee



Main			Branch			Weight (kg)	
DN	e	L	dn	e1	h	T type	K type
100	8.4	170	80	8.t	95	17.76	25.8
125	8.7	170	80	8.1	105	21.12	27.36
		195	100	8.4	110	22.8	29.76
150	9.1	170	80	8.1	120	25.8	35.04
		195	100	8.4	120	28.2	37.2
		230	125	8.7	125	30.96	39.96
200	9.8	175	80	8.1	145	36	45.48
		200	100	8.4	145	38.4	46.56
		255	150	9.1	150	44.4	52.8
250	10.5	180	80	8.1	170	48.24	51.6
		200	100	8.4	170	51.36	57.48
		260	150	9.1	175	61.32	67.68
		315	200	9.8	180	67.08	73.08
300	11.2	190	80	8.1	195	71.28	78.48
		205	100	8.4	195	73.32	81.24
		215	125	8.7	200	78.24	86.04
		260	150	9.1	200	80.64	93.12
		320	200	9.8	205	90.6	99.48
		375	250	10.5	210	100.92	110.52
350	11.9	180	80	8.1	220	76.32	89.4
		200	100	8.4	220	80.64	96
		250	150	9.1	225	86.04	100.32
		300	200	9.8	225	95.52	111.12
		360	250	10.5	230	102	117
		420	300	11.2	235	116	130.8
400	12.6	190	80	8.1	240	87.72	104.52
		210	100	8.4	245	91.2	108.72
		240	125	8.7	250	96.84	114.24
		270	150	9.1	250	101.64	119.76
		330	200	9.8	255	113.88	130.8
		380	250	10.5	260	125.52	141.48
		440	300	11.2	270	143.76	161.64
		500	350	11.9	270	152.88	174
450	13.3	190	80	8.1	270	99.72	123
		210	100	8.4	270	103.68	127.68
		240	125	8.7	270	109.92	133.8
		270	150	9.1	280	115.8	140.4
		330	200	9.8	280	129.24	152.64

30、全承底三通

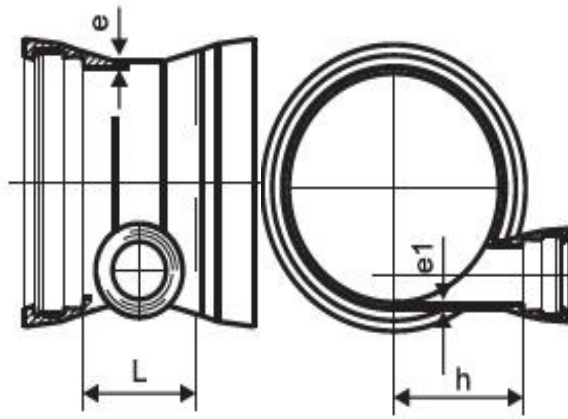
All socket level invert tee



DN	Main		Branch			Weight (kg)	
	e	L	dn	e1	h	T type	K type
450	13.3	390	250	10.5	290	144	166.44
		445	300	11.2	290	161.76	186.12
		500	350	11.9	300	172.32	199.92
		560	400	12.6	300	185.64	214.8
500	14	190	80	8.1	290	120.24	140.16
		220	100	8.4	295	126.72	147.36
		245	125	8.7	300	132.96	153.48
		270	150	9.1	300	138.36	159.6
		330	200	9.8	310	153.72	173.76
		390	250	10.5	310	169.32	188.4
		450	300	11.2	320	190.2	211.2
		510	350	11.9	320	201.84	266.08
		560	400	12.6	330	215.76	241.56
		620	450	13.3	335	231.96	261
600	15.4	200	80	8.1	340	164.52	181.32
		220	100	8.4	345	170.16	187.8
		250	125	8.7	350	179.16	196.56
		280	150	9.1	350	187.2	205.32
		340	200	9.8	360	206.04	222.96
		400	250	10.5	360	224.88	240.84
		450	300	11.2	370	246.48	264.36
		510	350	11.9	370	261.24	282.36
		570	400	12.6	380	279.96	302.64
		630	450	13.3	385	298.92	324.84
700	16.8	690	500	14.0	390	322.44	346.68
		205	80	8.1	390	244.56	235.44
		230	100	8.4	400	253.2	244.92
		260	125	8.7	400	264.12	255.6
		290	150	9.1	400	274.08	266.28
		340	200	9.8	410	293.52	284.52
		400	250	10.5	410	316.2	306.24
		460	300	11.2	420	344.04	336
		520	350	11.9	420	362.4	357.6
		580	400	12.6	430	384.6	381.36
		630	450	13.3	435	403.68	403.68
		700	500	14.0	440	433.68	432
810	600	15.4	450	485.64	482.4		

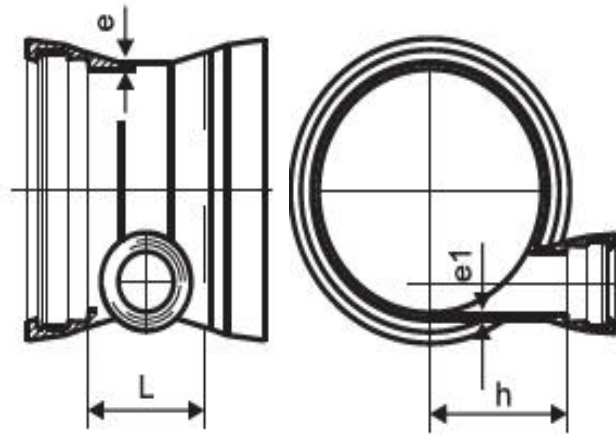
30、全承底三通

All socket level invert tee



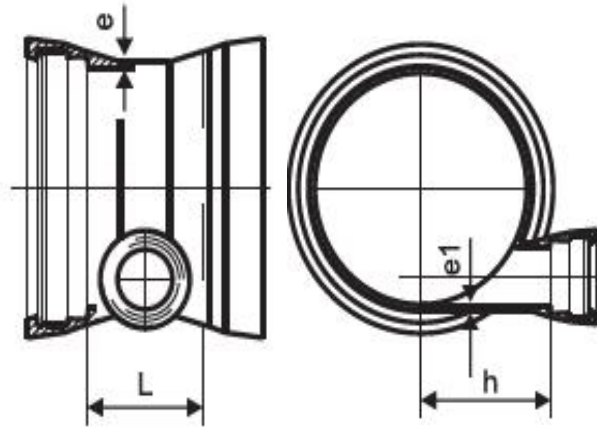
Main		Branch				Weight (kg)	
DN	e	L	dn	e1	h	T type	K type
800	18.2	210	80	8.1	440	320.88	290.88
		230	100	8.4	445	329.4	300.12
		260	125	8.7	450	342.6	313.2
		290	150	9.1	450	354.72	326.04
		350	200	9.8	460	381.84	351.96
		410	250	10.5	460	408.84	378
		470	300	11.2	470	440.76	411.84
		520	350	11.9	470	459.24	433.56
		580	400	12.6	480	485.52	461.4
		640	450	13.3	485	511.8	490.92
		700	500	14.0	490	542.28	519.72
810	600	15.4	500	600.48	576.36		
900	19.6	220	80	8.1	490	414	370.08
		240	100	8.4	500	424.2	381
		270	125	8.7	500	439.68	396.36
		300	150	9.1	500	454.32	411.72
		360	200	9.8	510	486.24	442.44
		410	250	10.5	510	513	468.24
		470	300	11.2	520	549.6	506.88
		530	350	11.9	520	576.84	537.24
		590	400	12.6	530	607.56	569.52
		650	450	13.3	535	638.16	603.36
		700	500	14.0	540	668.16	631.68
820	600	15.4	550	738.48	700.44		
1000	21	220	80	8.1	540	508.32	459.6
		250	100	8.4	550	526.08	478.08
		275	125	8.7	550	541.32	493.2
		300	150	9.1	550	555.84	508.44
		360	200	9.8	560	592.92	544.32
		420	250	10.5	560	629.88	580.32
		480	300	11.2	570	671.64	624
		540	350	11.9	570	703.8	659.4
		590	400	12.6	580	733.8	690.96
		650	450	13.3	585	769.32	729.72
		710	500	14.0	590	808.8	767.52
830	600	15.4	600	888.48	845.64		

30、全承底三通
All socket level invert tee



DN	Main		Branch			Weight (kg)	
	e	L	dn	e1	h	T type	K type
1100	22.4	230	80	8.1	590	628.92	543.24
		250	100	8.4	600	642.96	558
		280	125	8.7	600	663.96	578.88
		310	150	9.1	600	684.12	599.76
		370	200	9.8	610	727.08	641.52
		430	250	10.5	610	769.68	683.16
		480	300	11.2	620	810.36	725.76
		540	350	11.9	620	848.04	766.68
		600	400	12.6	630	889.2	809.4
		660	450	13.3	635	930.12	853.56
		720	500	14.0	640	975	896.76
		830	600	15.4	650	1058.28	978.48
1200	23.8	235	80	8.1	640	769.08	636.36
		260	100	8.4	650	789	657
		290	125	8.7	650	813.12	681
		320	150	9.1	650	836.52	705.12
		370	200	9.8	660	877.68	745.08
		430	250	10.5	660	926.4	792.84
		490	300	11.2	670	979.92	848.28
		550	350	11.9	670	1023.6	895.2
		610	400	12.6	680	1070.76	943.92
		660	450	13.3	685	1109.64	986.04
		720	500	14.0	690	1160.28	1035
		840	600	15.4	700	1262.4	1134.72
1400	26.6	250	80	8.1	740	1186.68	837.6
		270	100	8.4	750	1207.2	859.08
		300	125	8.7	750	1238.4	890.04
		330	150	9.1	750	1269.6	921
		390	200	9.8	760	1332	982.56
		440	250	10.5	760	1383.6	1033.8
		500	300	11.2	770	1450.8	1102.68
		560	350	11.9	770	1508.4	1162.92
		620	400	12.6	780	1568.4	1225.2
		680	450	13.3	785	1628.4	1288.8
		730	500	14.0	790	1682.4	1340.4
		850	600	15.4	800	1808.4	1465.2

30、全承底三通
All socket level invert tee



DN	Main		Branch			Weight (kg)	
	e	L	dn	e1	h	T type	K type
1600	29.4	400	200	9.8	860	1861.2	1346.4
		460	250	10.5	860	1939.2	1423.2
		510	300	11.2	870	2008.8	1495.2
		630	400	12.6	880	2156.4	1647.6
		770	500	14.0	890	2335.2	1827.6
		860	600	15.4	900	2452.8	1944
1800	32.2	410	200	9.8	960	2276.4	1738.8
		470	250	10.5	960	2376	1837.2
		530	300	11.2	970	2475.6	1939.2
		640	400	12.6	980	2649.6	2118
		760	500	14.0	990	2823.6	2293.2
		870	600	15.4	1000	3031.2	2499.6
2000	35	420	200	9.8	1060	/	2191.2
		480	250	10.5	1060	/	2310
		540	300	11.2	1070	/	2431.2
		650	400	12.6	1080	/	2646
		770	500	14.0	1090	/	2856
		890	600	15.4	1100	/	3080.4
2200	37.8	430	200	9.8	1160	/	2702.4
		490	250	10.5	1160	/	2842.8
		550	300	11.2	1170	/	2984.4
		670	400	12.6	1180	/	3260.4
		780	500	14.0	1190	/	3487.2
		900	600	15.4	1200	/	3751.2
2400	40.6	450	200	9.8	1260	/	3550.8
		500	250	10.5	1260	/	3687.6
		560	300	11.2	1270	/	3852
		680	400	12.6	1280	/	4173.6
		790	500	14.0	1290	/	4440
		910	600	15.4	1300	/	4748.4
2600	43.4	460	200	9.8	1360	/	4261.2
		520	250	10.5	1360	/	4449.6
		570	300	11.2	1370	/	4608
		690	400	12.6	1380	/	4978.8
		810	500	14.0	1390	/	5318.4
		920	600	15.4	1400	/	5644.8